

MARSET SERIES 2

LED track light single circuit

Product Description

Housing

Made of high quality die casting aluminium, efficient heat sink design ensures proper heat dissipation.

Full 360° directional body.

LED COB chip provides high beam output, low energy consumption and rated life time of 35000 hours.

Reflector

High specular anodised aluminium reflector provides high uniformity and optimum reflecting efficiency.

Driver

Constant current built-in driver.

PB and HG free, environment friendly.

Track

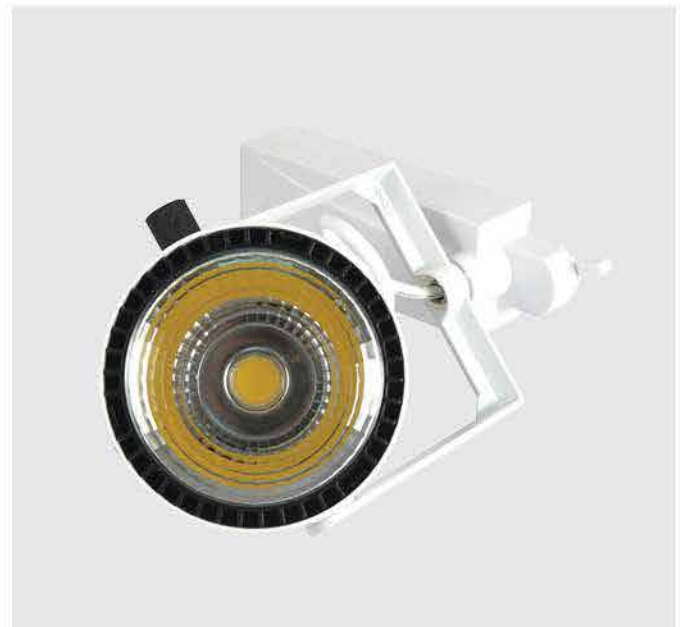
Design to suit global standard single circuit track.

Accessories

50040: 2 meter track (Black or white colour)

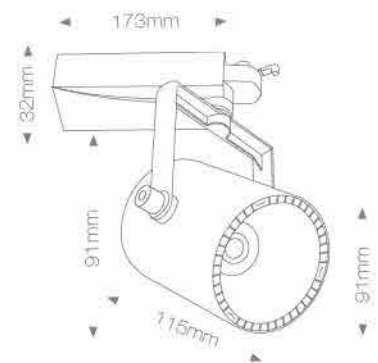
50041: Linear joint connector (Black or white colour)

50043: T-Junction connection (Black or white colour)



Design Application

Retail, showrooms, galleries, shops, museums, hotels, restaurants, theaters, conference halls, office, supermarkets, residential and commercial areas.



Product Range and Reference

Model	Power	Voltage	CRI	Luminous Flux	Lumin Effe.	Colour Temp.	Colour	Module	IP Grade	Beam Angle	Material
50 014	30W	220-240V	>80	2550	85lmW	6500K	White or Black	COB	IP20	42°	Die cast aluminium + GLA + PC
50 016	30W	220-240V	>80	2550	85lmW	3000K	White or Black	COB	IP20	42°	Die cast aluminium + GLA + PC